

MACHO P/ MANGUEIRA



FÊMEA P/ MANGUEIRA



ALAVANCA



MACHO ROSCADO



FÊMEA ROSCADA








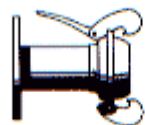



TÊ - M / M / F



CURVA 90°



Hose Ends	Size	Godwin Part No.
 Hose shank x ball	2"	101-1011
	3"	109-1011
	4"	105-1011
	6"	107-1011
	8"	108-1011
	10"	110-1011
	12"	112-1011
 Hose shank x socket	2"	101-0711
	3"	109-0711
	4"	105-0711
	6"	107-0711
	8"	108-0711
	10"	110-0711
	12"	112-0711
 Lever closure ring	2	101-0134
	3	103-0134
	4	105-0134
	6	106-0134
	8	108-0134
 Rubber sealing ring	2"	101-0140
	3"	103-0140
	4"	105-0140
	6"	107-0140
	8"	108-0140
	10"	110-0140
	12"	112-0140
 Complete hose end coupling assembly	2"	100-6774
	3"	100-6772
	4"	100-6768
	6"	100-6765
	8"	100-6764
	10"	100-6769
	12"	100-6770

Flanged Ends	Size	Godwin Part No.
 Flanged end with ball and lever	2"	100-6971
	3"	100-6970
	4"	100-6987
	6"	100-7005
	8"	100-7003
	10"	110-7002
	12"	112-7002
 Flanged suction adapter	2"	100-6969
	3"	100-6968
	4"	100-6986
	6"	100-7004
	8"	100-7002
	10"	110-7003
	12"	112-7003
 Male NPT threaded end by male ball end	2"	101-0811
	3"	109-0820
	4"	105-0811
	6"	107-0811
	8"	108-0811
	10"	110-0811
	12"	112-0811
 Male NPT threaded end by socket	2"	101-0511
	3"	109-0521
	4"	105-0511
	6"	107-0511
	8"	108-0511
	10"	110-0511
	12"	112-0511



TUBORRACHIA
ACESSÓRIOS E EQUIPAMENTOS INDUSTRIAIS, LDA.

Contribuinte N.º 502 547 294
Socied. por Quotas - Capital Social 49.880 Euros
Registado na C. R. C. de Loures sob o N.º 08511

Pipe Bends	Size	Godwin Part No.
90° elbow	2"	101-1101
	3"	109-1101
	4"	162-1101
	6"	159-1101
	8"	160-1101
	10"	110-1101
12"	112-1101	
60° elbow	2"	101-1201
	3"	109-1201
	4"	105-1201
	6"	107-1201
	8"	108-1201
	10"	110-1201
12"	112-1201	
45° elbow	4"	100-7469
	6"	100-7468
	8"	100-6640
S-Bend (Step Bow)	2"	101-1501
	3"	109-1501
	4"	105-1501
	6"	107-1501
	8"	108-1501

Tee and Y Adapters	Size	Godwin Part No.
End Tee male x male x female	2"	101-1901
	3"	109-1901
	4"	105-1901
	6"	107-1901
	8"	108-1901
	10"	110-1901
12"	112-1901	
Outlet Tee female x female x male	2"	101-1805
	3"	109-1805
	4"	105-1805
	6"	107-1805
	8"	108-1805
Line Tee male x female x male	2"	101-1701
	3"	109-1701
	4"	105-1701
	6"	107-1701
	8"	108-1701
10"	110-1701	
12"	112-1701	
Y Adapter female x female x male	2"	100-1701
	3"	100-1701
	4"	100-6708
	6"	100-6707
	8"	100-6706
	10"	100-1701
12"	100-6712	



TUBORRACHIA
ACESSÓRIOS E EQUIPAMENTOS INDUSTRIAIS, LDA.

Contribuinte N.º 502 547 294
Sociedade, por Quotas - Capital Social 49.880 Euros
Registado na C. R. C. de Loures sob o N.º 08511